

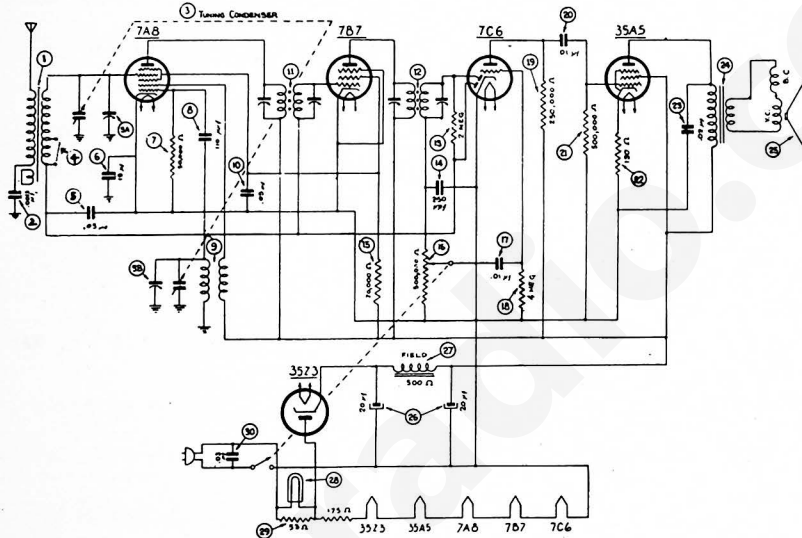
# PHILCO MODEL TP-4

MODELS TP-4 and TP-4-1 are 5 tube superheterodyne receivers having 2 tuning ranges covering from 540 to 1720 kilocycles on the broadcast band and a frequency range from 2.3 to 2.5 megacycles (M.C.) on the police band. This model is designed to operate on either alternating (A.C.) or direct current (D.C.) 115 volts. These models are identical with the exception of cabinets.

An indoor aerial 20 feet in length is attached to the receiver for average receiving conditions; however in apartment houses, hotels or steel re-inforced buildings, the Philco Utility Aerial Part No. 40-6384 is recommended.

The procedure for aligning the compensating condensers of this model will be found on page 3 under General Aligning Instructions.

NOTE: If no sound is heard after connecting the receiver to the power supply and sufficient time has been allowed for the tubes to heat, reverse the electric plug in the outlet. The same procedure should be observed on A.C. power supplies when a slight hum is heard with the volume turned low.



## REPLACEMENT PARTS

### TRANSITONE HOME RADIO MODEL TP-4

Schem. No.	Description	Philco Part No.	Schem. No.	Description	Philco Part No.
1	Antenna Transformer.....	32-3184	25	For Speaker 36-1469-9.....	32-8044
2	Tubular Condenser (.0015 mf., 200V.)	30-45558	26	Cone Assembly	36-4115
3	Tuning Condenser.....	31-2354		For Speaker 36-1469-1.....	36-4113
4	Switch.....	42-1406		For Speaker 36-1469-9.....	30-4449S
5	Tubular Condenser (.05 mf., 200V.)	30-45198	26	Tubular Condenser (.03 mf., 400V.)	30-4449S
6	Tubular Condenser (.15 mf., 400V.)	30-45058	27	Electrolytic Condenser	
7	Resistor (50,000 ohms, 1/3 watt) ..	33-350244		(20-20 mf., 150V.).....	30-2382
8	Mica Condenser (110 mmf.).....	30-1031	28	Field Coil	
9	Oscillator Transformer.....	32-3152		..... Part of Speaker, Part No.	36-1469
10	Tubular Condenser (.05 mf., 200V.)	30-45198	29	Pilot Lamp.....	34-2068
11	1st I.F. Transformer.....	32-3149	30	Line Resistor.....	33-3387
12	2nd I.F. Transformer.....	32-3150		Cardboard Back.....	27-9511
13	Resistor (2 meg., 1/3 watt).....	33-520244		Dial Window.....	27-5472
14	Mica Condenser (250 mmf.).....	30-1032		Drive Cord Assembly.....	31-2368
15	Resistor (20,000 ohms, 1/3 watt) ..	33-320244		Drive Shaft Assembly.....	31-2355
16	Volume Control (500,000 ohms).....	33-5308		Drive Drum.....	28-6662
17	Tubular Condenser (.01 mf., 200V.)	30-44798		Grille Cloth.....	44-1287
18	Resistor (4 meg., 1/3 watt).....	33-540244		Knob Assembly.....	27-4809
19	Resistor (250,000 ohms, 1/3 watt) ..	33-425244		Pointer.....	27-4891
20	Tubular Condenser (.01 mf., 400V.)	30-45728		Scale.....	27-5558
21	Resistor (500,000 ohms, 1/3 watt) ..	33-450244		Sockets.....	27-6130
22	Resistor (130 ohms, 1/2 watt).....	33-113338		Speaker.....	36-1469
23	Tubular Condenser (.02 mf., 400V.)	30-45168		Spring (Drive Cord).....	28-8954
24	Output Transformer				
	For Speaker 36-1469-1.....	32-8047			

### TP-4 IVORY

Cardboard Back.....	27-9545	Knob Assembly.....	27-4810
---------------------	---------	--------------------	---------